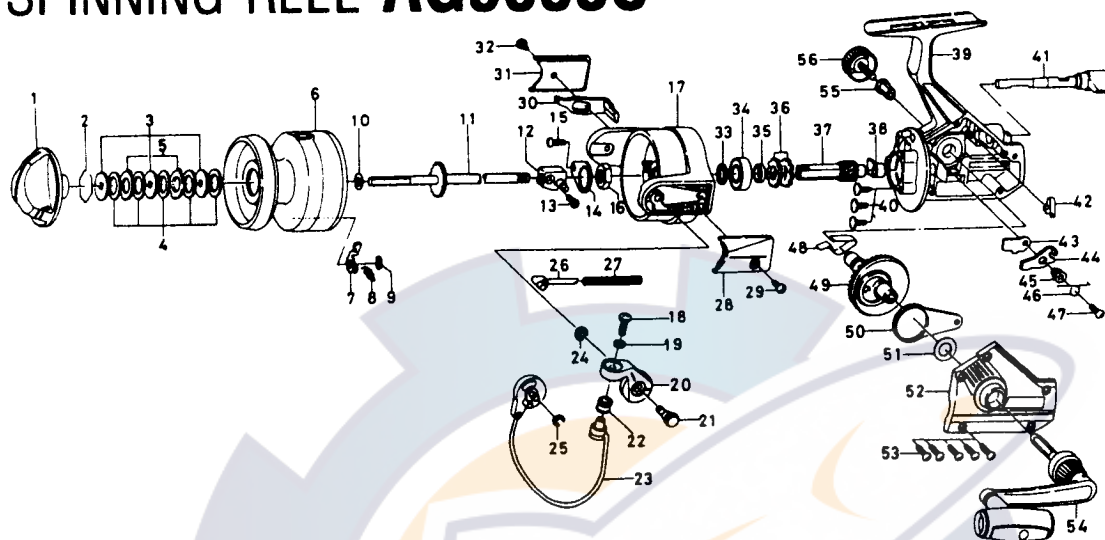




# SPINNING REEL AG9000C



Key No. 1—9

K08-3101 Spool assembly

Key No.	Parts No.	Parts Name	Key No.	Parts No.	Parts Name
1	K12-3905	Drag knob	29	K07-1501	Bail spring cover screw
2	171-7701	Drag washer retainer	30	K07-1001	Bail trip lever
3	L01-8002	Key washer	31	K07-1102	Bail trip cover
4	375-7802	Drag washer	32	K07-1501	Bail trip cover screw
5	B89-9501	Eared washer	33	B90-9201	Bearing washer
6	K08-4401	Spool assembly	34	637-6101	Bail bearing
7	B07-8201	Click pawl	35	K07-0801	Spacing sleeve
8	145-2101	Click pawl spring	36	E26-2701	Anti-reverse ratchet
9	320-1402	Click pawl retainer	37	K07-0701	Pinion gear
10	K08-1901	Spool washer	38	K07-0601	Pinion holder
11	K08-1401	Main shaft assembly	39	K08-0602	Body assembly
12	K07-2001	Oscillating slider	40	B84-2102	Bearing retainer screw
13	351-8901	Oscillating slider screw	41	K11-9001	Anti-reverse lever
14	B02-1601	Rotor nut holding plate	42	B58-8601	Anti-reverse cam spring
15	L01-1702	Rotor nut holding plate screw	43	K11-8601	Anti-reverse pawl plate
16	K07-1601	Rotor nut	44	K11-8701	Anti-reverse pawl
17	K08-2501	Rotor	45	K11-8801	Anti-reverse pawl collar
18	353-9702	Line roller screw	46	K11-8901	Anti-reverse pawl spring A
19	160-8101	Lock washer	47	K08-7802	Anti-reverse pawl screw
20	K06-6701	Bail arm	48	K12-1301	Anti-reverse pawl spring B
21	K12-0401	Bail arm screw	49	K11-5901	Drive gear
22	250-4221	Line roller	50	L00-7901	Oscillating support
23	K08-2601	Bail	51	371-2800	Drive gear washer
24	320-1402	Bail arm screw retainer	52	K08-1702	Side cover
25	320-1402	Bail trip cam retainer	53	K08-7801	Side cover screw
26	K12-0601	Bail spring shaft	54	K08-2401	Handle assembly
27	K12-0701	Bail spring	55	501-8401	Handle collar
28	K07-1402	Bail spring cover	56	L00-9102	Handle lock screw